

Assembly Instructions: 1157-4P/6P (Payton)

IMPORTANT:

- ALL INSTALLATION WORK SHOULD BE DONE BY ACCREDITED PROFESSIONAL.
- SHUT OFF POWER SUPPLY AT FUSE OR CIRCUIT BREAKER!
- USE ONLY THE SPECIFIED BULBS. DO NOT EXCEED THE MAXIMUM WATTAGE!

For Customer Service, contact the place of purchase.

PREPARING FOR INSTALLATION

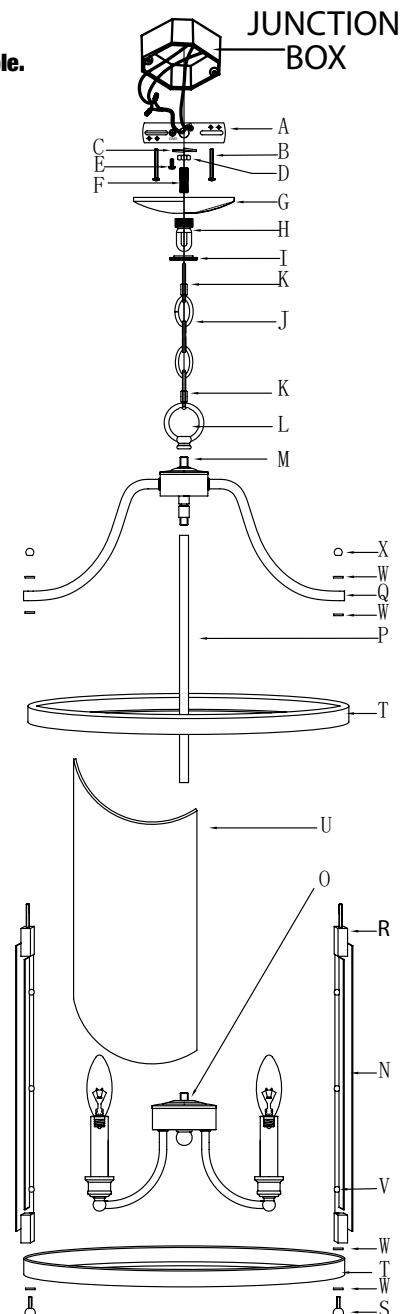
Remove all of the contents from the carton. See the important notes above. Remove the old fixture from the ceiling, including the old mounting strap.

1. Take the mounting strap (A) assembly from the parts bag. One end of nipple (F) should be attached to mounting strap (A) with washer and hex nut (C and D) in place. The other end should have canopy loop (H) attached.
2. Use a screwdriver and mounting screws (B) to attach mounting strap (A) to the junction box. (Note: When mounting strap (A) is properly installed, about half of the exterior threads of nipple (F) are exposed, allowing canopy loop (H) to fit snugly onto nipple (F). You may want to test to ensure that, with canopy (G) in place, canopy loop (I) fits onto nipple (F). After testing, remove canopy loop collar (I), canopy (G) and canopy loop (H) from the nipple and place aside for later.

ASSEMBLING THE FIXTURE

Note: Glass edges may be sharp. Wear gloves for installation to avoid injury. Have an assistant help assemble.

4. Thread center rod (P) into the lamp body at center post (O). Pull the wires until taut and thread frame top (Q) into center rod (P).
5. Create the frame. Slide rubber washers (W) onto the threads of ball nuts (S). Insert ball nuts (S) through one of rings (T) and into the bottom of vertical support bars (N). From the top, slide glass panels (U) into the top of the new frame. Place the holes of remaining ring (T) over the top of posts (R). Place rubber washers (W) onto the exposed posts (R).
5. Gently place the assembled lamp body into the glass cage. Line up the holes on frame top (Q) with posts (R). Cover the exposed posts (R) with rubber washers (W) before screwing decorative balls (X) into place.
6. Top loop (L) is on the fixture's wires. Pull the wires until taut. Thread top loop (L) onto the threads of frame top (Q). By measuring, determine the correct number of chain links needed for proper hanging height. If necessary, use a pair of pliers to open and remove any excess chain (J). Attach one chain connector (K) to each end of chain (J).
7. Connect one of chain connectors (K) to top loop (L) and close the chain connector. Feed the fixture's wires up through the chain (every three links or so), pulling the wires until taut. Use the free chain connector (K) to attach chain (J) to canopy loop (H). Untwist canopy loop collar (I) to allow canopy (G) to drop down onto the chain/wire.



How to Identify the Fixture's Wires		
Hot	Neutral	Ground
Smooth	Ribbed	Bare Metal, Green, or Green Inner
Black	White	Thread
Black Inner Thread	White Inner Thread	

CONNECTING THE WIRES

8. Have an assistant support the fixture's weight while completing the wiring. Cut away the excess wires. Thread the fixture's wires through the canopy loop and nipple. Refer to the wiring diagram and attach the fixture's wires to the power supply wires from the junction box.

Connect Hot to Hot, Neutral to Neutral, and Ground to Ground. Twist the ends of the wire pairs together, and then twist on a wire connector. Make sure all twists are in the same direction. If there is no house ground wire coming from the junction box, locate ground screw (E) on the mounting bracket/mounting strap and wrap the fixture's ground wire around the ground screw. Use a screwdriver to tighten the top of ground screw (E) onto the wires and into the mounting bracket/mounting strap. Tuck the wires into the junction box.

FINISHING THE INSTALLATION

9. Push canopy (G) up to the ceiling and slide canopy loop collar (I) up beneath the canopy. Tightly thread canopy loop collar (I) onto canopy loop (H) to secure canopy (G) in place.
10. Reach through the bottom opening to install bulbs (not included) in accordance with the fixture's specifications. Your installation is now complete. Turn on the power and test the fixture.

CLEANING TIPS

Treat the fixture gently! Regular cleaning will reduce the need for deep cleaning. For regular cleaning, turn off the light and wipe down the fixture with a clean lint-free cotton or microfiber cloth. Never spray cleaner directly onto the fixture.